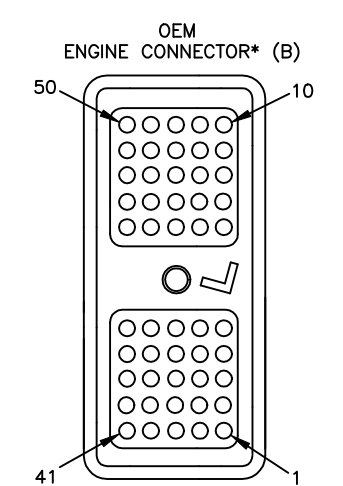
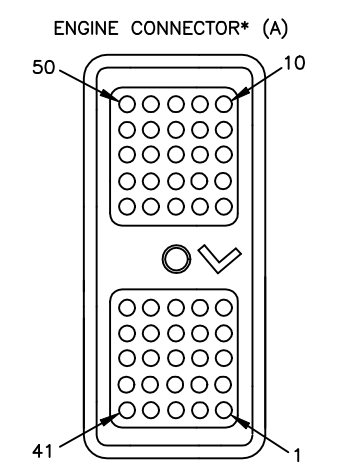
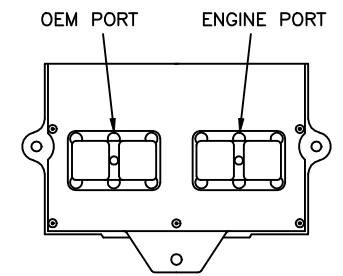
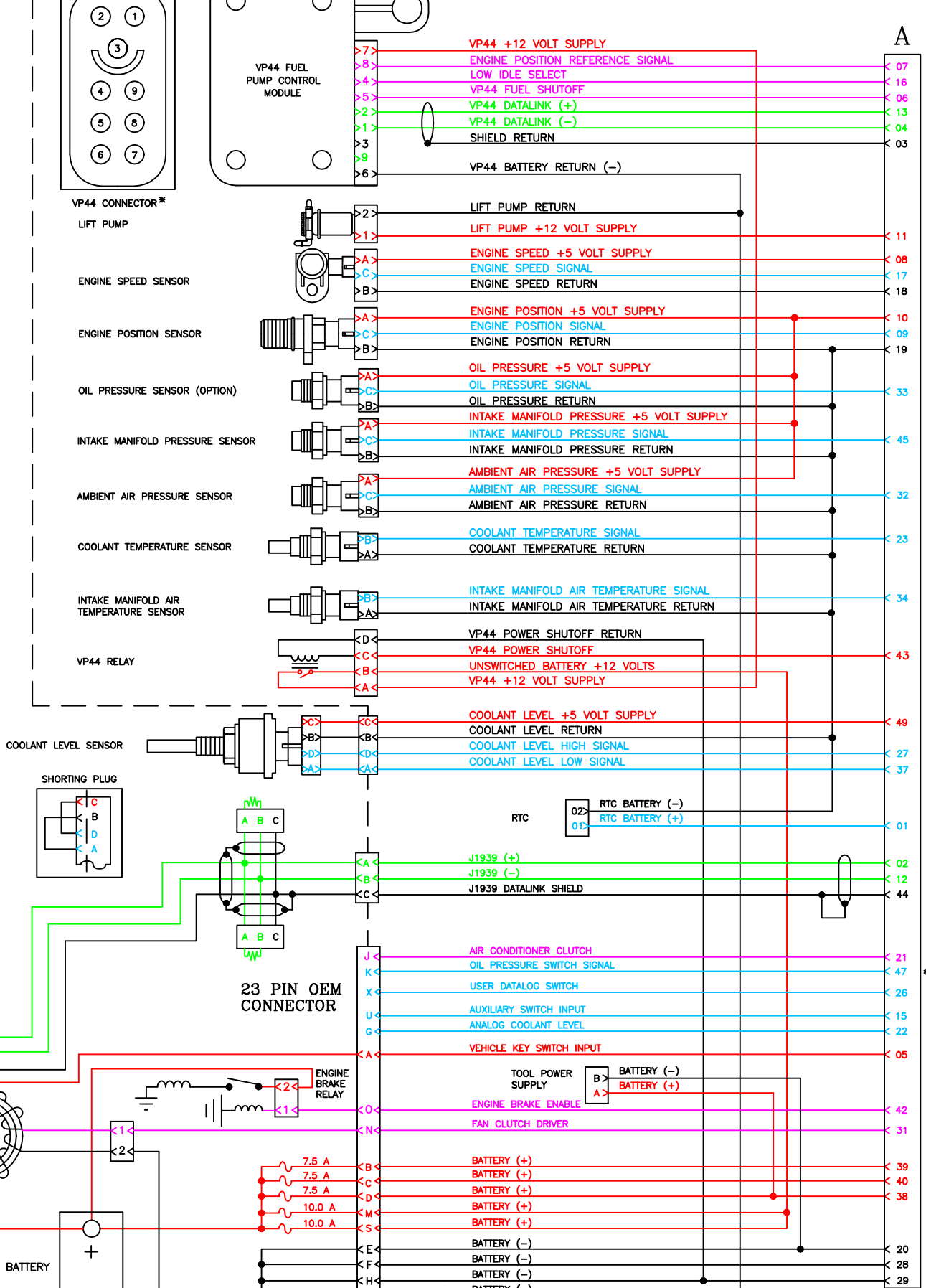
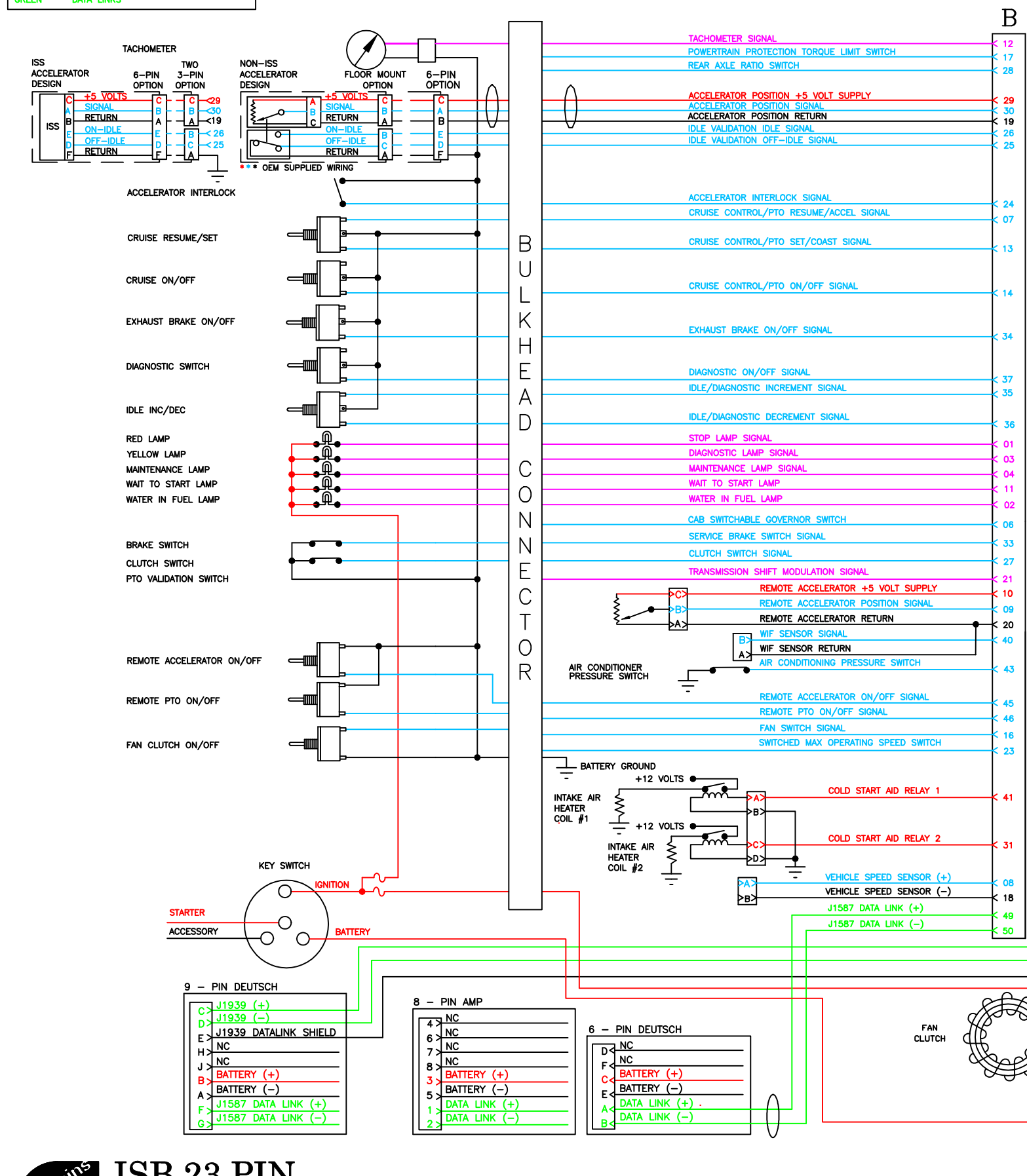


RED DC VOLTAGE
 BLUE INPUT SIGNALS
 BLACK GROUNDS, SHIELDS AND RETURNS
 PURPLE OUTPUT SIGNALS
 GREEN DATA LINKS

OEM RESPONSIBILITY

CUMMINS RESPONSIBILITY



*VIEW SHOWN IS LOOKING AT THE HARNESS SIDE OF THE CONNECTOR
 ** ENGINES BUILT AFTER APRIL 2002 DO NOT HAVE THE OIL PRESSURE SWITCH SIGNAL GOING TO PIN K OF THE 23-PIN OEM CONNECTOR

Cummins
ISB 23 PIN Wiring Diagram
 (for ECM Part Numbers 3942860, 3944124, and 3990517) Bulletin 3666325-02

NOTE: SOME OF THE CIRCUITS SHOWN HERE WILL NOT BE ACTIVE IN ALL APPLICATIONS. CONSULT THE EQUIPMENT MANUFACTURER'S LITERATURE TO DETERMINE WHICH CIRCUITS ARE USED.

OEM RESPONSIBILITY

CUMMINS RESPONSIBILITY